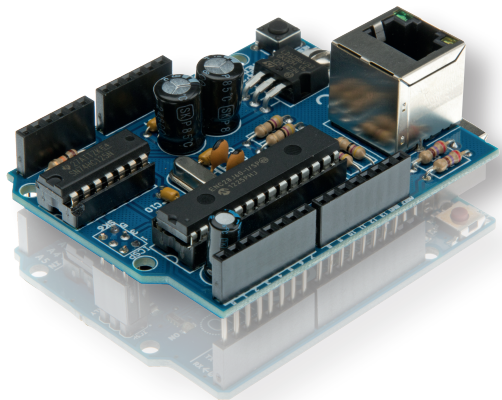


VMA04

MANUAL HVMA04*1

Ethernet shield for Arduino®

velleman®
MODULES



Configure your Arduino™ as a simple web server or let it get data from the worldwide web.

Features

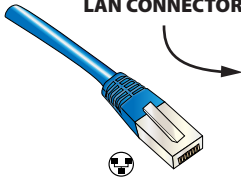
- For use with Arduino Uno™, Arduino Mega™
- Based on Microchip ENC28J60
- IEEE 802.3 compatible Ethernet controller
- Integrated MAC & 10BASE-T PHY
- SPI interface
- With RJ45 connector

Specifications

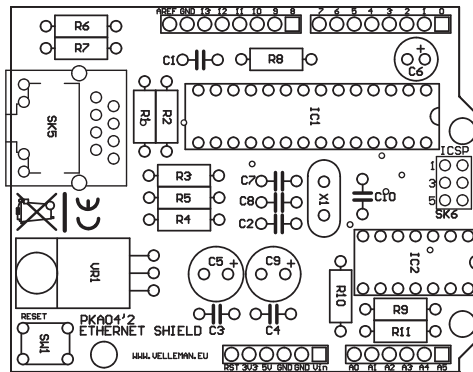
- Max. clock speed: 20MHz
- Transmit/receive buffer: 8kB
- Dimensions: 68 x 53mm / 2.67 x 2.08"



1 RJ45 LAN CONNECTOR



2 RESET

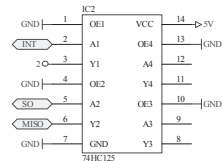
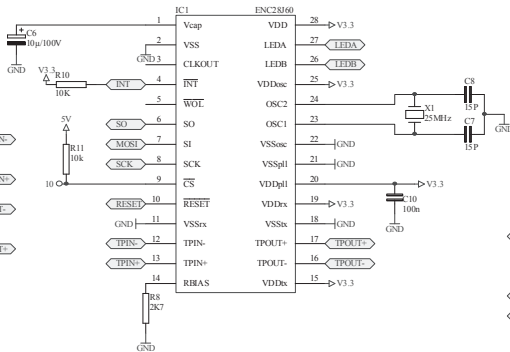
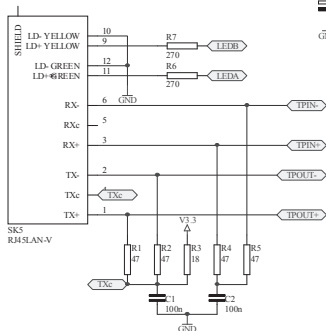
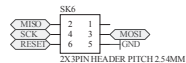
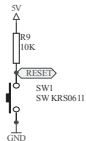
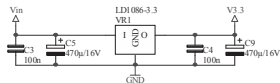
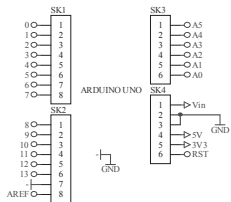


3 ICSP CONNECTOR



Participate our Velleman Projects Forum

DOWNLOAD SAMPLE CODE FROM KA04 PAGE ON WWW.VELLEMAN.BE





The new Velleman Projects catalogue is
now available. Download your copy here:
www.vellemanprojects.eu



5 410329 556488

Modifications and typographical errors reserved - © Velleman nv. HVMA04
Velleman NV, Legen Heinweg 33 - 9890 Gavere.

